

# 10 RATED TECHNICAL DATA

» 2 pipes

FWP-C			04			05			06			08		
Speed			min	med	max	min	med	max	min	med	max	min	med	max
Declared speed			2,5,7			1,5,7			1,6,7			1,4,7		
Control voltage	(E)	V	2,90	8,00	9,00	4,30	7,50	8,40	4,50	7,40	8,30	5,40	8,30	9,90
Rated air flow	(E)	m <sup>3</sup> /h	109	246	276	171	275	341	195	360	402	305	532	652
Available static pressure	(E)	Pa	10	50	63	19	50	77	19	50	63	17	50	75
Power input	(E)	W	6	25	33	10	24	39	10	26	35	22	51	77
Maximum current absorption		A	0,32			0,60			0,84			0,84		
Total cooling capacity	(1)(E)	kW	0,93	1,76	1,95	1,29	1,95	2,34	1,59	2,74	3,04	1,98	3,26	3,79
Sensible cooling capacity	(1)(E)	kW	0,62	1,25	1,39	0,91	1,39	1,66	1,09	1,91	2,11	1,48	2,48	2,92
FCEER class	(E)		A											
Water flow	(2)	l/h	161	306	340	222	339	408	274	476	527	343	568	664
Water pressure drop	(2)(E)	kPa	2	5	6	3	6	8	3	7	9	3	8	11
Heating capacity	(3)(E)	kW	0,88	1,81	1,99	1,33	1,98	2,35	1,59	2,80	3,10	2,35	3,71	4,31
FCCOP class	(E)		A											
Water flow	(3)	l/h	153	315	346	231	345	408	276	488	538	408	644	749
Water pressure drop	(3)(E)	kPa	1	4	5	2	5	7	2	6	8	4	9	11
Standard coil - number of rows			3			3			4			3		
Total sound power level	(4)	dB(A)	28	49	52	39	50	54	39	50	54	38	52	58
Inlet + radiated sound power level	(4)(E)	dB(A)	26	47	50	37	48	52	37	48	52	36	50	56
Outlet sound power level	(4)(E)	dB(A)	25	46	49	36	47	51	36	47	51	35	49	55
Water content - standard coil		dm <sup>3</sup>	1,20			1,20			2,20			1,60		
Cross-section area of power cables	(5)	mm <sup>2</sup>	1,00			1,00			1,00			1,00		
Power supply cable type			N07V-K											
Safety fuse F		A	1			1			1			1		
Fuses type			gG											

FWP-C			10			11			15			17		
Speed			min	med	max	min	med	max	min	med	max	min	med	max
Declared speed			1,6,7			1,6,7			5,6,7			5,6,7		
Control voltage	(E)	V	3,40	7,60	8,50	3,40	7,60	8,50	6,80	7,50	8,30	6,80	7,50	8,30
Rated air flow	(E)	m <sup>3</sup> /h	333	687	760	333	687	760	1050	1163	1289	1050	1163	1289
Available static pressure	(E)	Pa	12	50	61	12	50	61	40	50	60	40	50	60
Power input	(E)	W	11	54	68	11	54	68	105	128	162	105	128	162
Maximum current absorption		A	0,91			0,91			3,52			3,52		
Total cooling capacity	(1)(E)	kW	2,29	4,34	4,75	2,51	4,91	5,35	6,28	6,81	7,38	7,04	7,64	8,28
Sensible cooling capacity	(1)(E)	kW	1,67	3,21	3,51	1,77	3,45	3,76	4,64	5,03	5,46	4,96	5,38	5,84
FCEER class	(E)		A			A			C			B		
Water flow	(2)	l/h	394	753	828	432	850	930	1094	1190	1295	1225	1332	1448
Water pressure drop	(2)(E)	kPa	2	7	8	3	10	12	13	16	18	20	23	26
Heating capacity	(3)(E)	kW	2,54	4,76	5,17	2,63	5,03	5,49	6,68	7,22	7,80	7,18	7,80	8,46
FCCOP class	(E)		A			A			B			B		
Water flow	(3)	l/h	441	827	898	457	875	955	1162	1256	1356	1248	1355	1471
Water pressure drop	(3)(E)	kPa	2	7	8	3	9	11	12	14	16	17	19	22
Standard coil - number of rows			3			4			3			4		
Total sound power level	(4)	dB(A)	38	55	58	38	55	58	61	63	69	61	63	69
Inlet + radiated sound power level	(4)(E)	dB(A)	36	53	56	36	53	56	59	61	67	59	61	67
Outlet sound power level	(4)(E)	dB(A)	35	52	55	35	52	55	58	60	66	58	60	66
Water content - standard coil		dm <sup>3</sup>	2,50			3,30			2,50			3,30		
Cross-section area of power cables	(5)	mm <sup>2</sup>	1,00			1,00			1,50			1,50		
Power supply cable type			N07V-K											
Safety fuse F		A	1			1			2			2		
Fuses type			gG											

- (1) Water temperature 7°C / 12°C, air temperature dry bulb 27°C, wet bulb 19°C (47% relative humidity) according to EN1397:2015  
 (2) Water temperature 7°C / 12°C, air temperature dry bulb 27°C, wet bulb 19°C (47% relative humidity)  
 (3) Water temperature 45°C / 40°C, air temperature 20°C  
 (4) Sound power measured according to standards ISO 3741 and ISO 3742  
 (5) The shown section is to be considered as the minimum recommended section. The cables must be chosen in compliance with CEI - UNEL 35024/1. standard.  
 (E) EUROVENT certified data  
 Power supply 230-1-50 (V-ph-Hz)

» 4 pipes

FWP-C			04			05			06			08		
Speed			min	med	max	min	med	max	min	med	max	min	med	max
Declared speed			2,5,7			1,5,7			1,6,7			1,4,7		
Control voltage	(E)	V	2,90	7,90	8,90	4,50	7,30	8,90	4,50	7,40	8,30	5,40	8,30	9,90
Rated air flow	(E)	m <sup>3</sup> /h	109	243	270	170	272	336	195	357	398	302	524	642
Available static pressure	(E)	Pa	10	50	63	19	50	77	19	50	63	17	50	75
Power input	(E)	W	6	25	32	10	23	39	10	26	35	21	50	77
Maximum current absorption		A	0,32			0,60			0,84			0,84		
Total cooling capacity	(1)(E)	kW	0,93	1,74	1,91	1,28	1,93	2,31	1,59	2,72	3,01	1,95	3,22	3,75
Sensible cooling capacity	(1)(E)	kW	0,62	1,24	1,36	0,90	1,38	1,64	1,09	1,89	2,09	1,47	2,44	2,89
FCEER class	(E)		A											
Water flow	(2)	l/h	161	302	333	221	335	404	274	473	522	339	562	656
Water pressure drop	(2)(E)	kPa	2	5	6	3	6	8	3	7	9	3	8	11
Heating capacity	(3)(E)	kW	1,14	1,93	2,06	1,55	2,07	2,32	2,09	3,09	3,29	2,80	3,82	4,24
FCCOP class	(E)		A											
Water flow	(3)	l/h	100	169	180	136	181	204	183	271	288	245	334	371
Water pressure drop	(3)(E)	kPa	1	2	3	2	3	3	2	3	4	3	5	6
Additional coil - number of rows			3+1			3+1			4+1			3+1		
Total sound power level	(4)	dB(A)	28	49	52	39	50	54	39	50	54	38	52	58
Inlet + radiated sound power level	(4)(E)	dB(A)	26	47	50	37	48	52	37	48	52	36	50	56
Outlet sound power level	(4)(E)	dB(A)	25	46	49	36	47	51	36	47	51	35	49	55
Water content - additional coil		dm <sup>3</sup>	0,47			0,47			0,59			0,59		
Cross-section area of power cables	(5)	mm <sup>2</sup>	1,00			1,00			1,00			1,00		
Power supply cable type			N07V-K											
Safety fuse F		A	1			1			1			1		
Fuses type			gG											

FWP-C			10			11			15			17		
Speed			min	med	max	min	med	max	min	med	max	min	med	max
Declared speed			1,6,7			1,6,7			5,6,7			5,6,7		
Control voltage	(E)	V	3,40	7,60	8,50	3,40	7,60	8,50	6,80	7,50	8,30	6,80	7,50	8,30
Rated air flow	(E)	m <sup>3</sup> /h	333	683	755	333	683	755	1050	1163	1289	1050	1163	1289
Available static pressure	(E)	Pa	12	50	61	12	50	61	40	50	60	40	50	60
Power input	(E)	W	11	54	67	11	54	67	105	128	162	105	128	162
Maximum current absorption		A	0,91			0,91			3,52			3,52		
Total cooling capacity	(1)(E)	kW	2,29	4,32	4,72	2,51	4,88	5,32	6,28	6,81	7,38	7,04	7,64	8,28
Sensible cooling capacity	(1)(E)	kW	1,67	3,19	3,48	1,77	3,43	3,74	4,64	5,03	5,46	4,96	5,38	5,84
FCEER class	(E)		A			A			C			B		
Water flow	(2)	l/h	394	749	822	432	846	925	1094	1190	1295	1225	1332	1448
Water pressure drop	(2)(E)	kPa	2	7	8	3	10	12	13	16	18	20	23	26
Heating capacity	(3)(E)	kW	3,40	5,17	5,45	3,40	5,17	5,45	6,42	6,73	7,06	6,42	6,73	7,06
FCCOP class	(E)		A			A			C			C		
Water flow	(3)	l/h	297	452	477	297	452	477	562	589	618	562	589	618
Water pressure drop	(3)(E)	kPa	6	13	14	6	13	14	19	21	22	19	21	22
Additional coil - number of rows			3+1			4+1			3+1			4+1		
Total sound power level	(4)	dB(A)	38	55	58	38	55	58	61	63	69	61	63	69
Inlet + radiated sound power level	(4)(E)	dB(A)	36	53	56	36	53	56	59	61	67	59	61	67
Outlet sound power level	(4)(E)	dB(A)	35	52	55	35	52	55	58	60	66	58	60	66
Water content - additional coil		dm <sup>3</sup>	0,97			0,97			0,97			0,97		
Cross-section area of power cables	(5)	mm <sup>2</sup>	1,00			1,00			1,50			1,50		
Power supply cable type			N07V-K											
Safety fuse F		A	1			1			2			2		
Fuses type			gG											

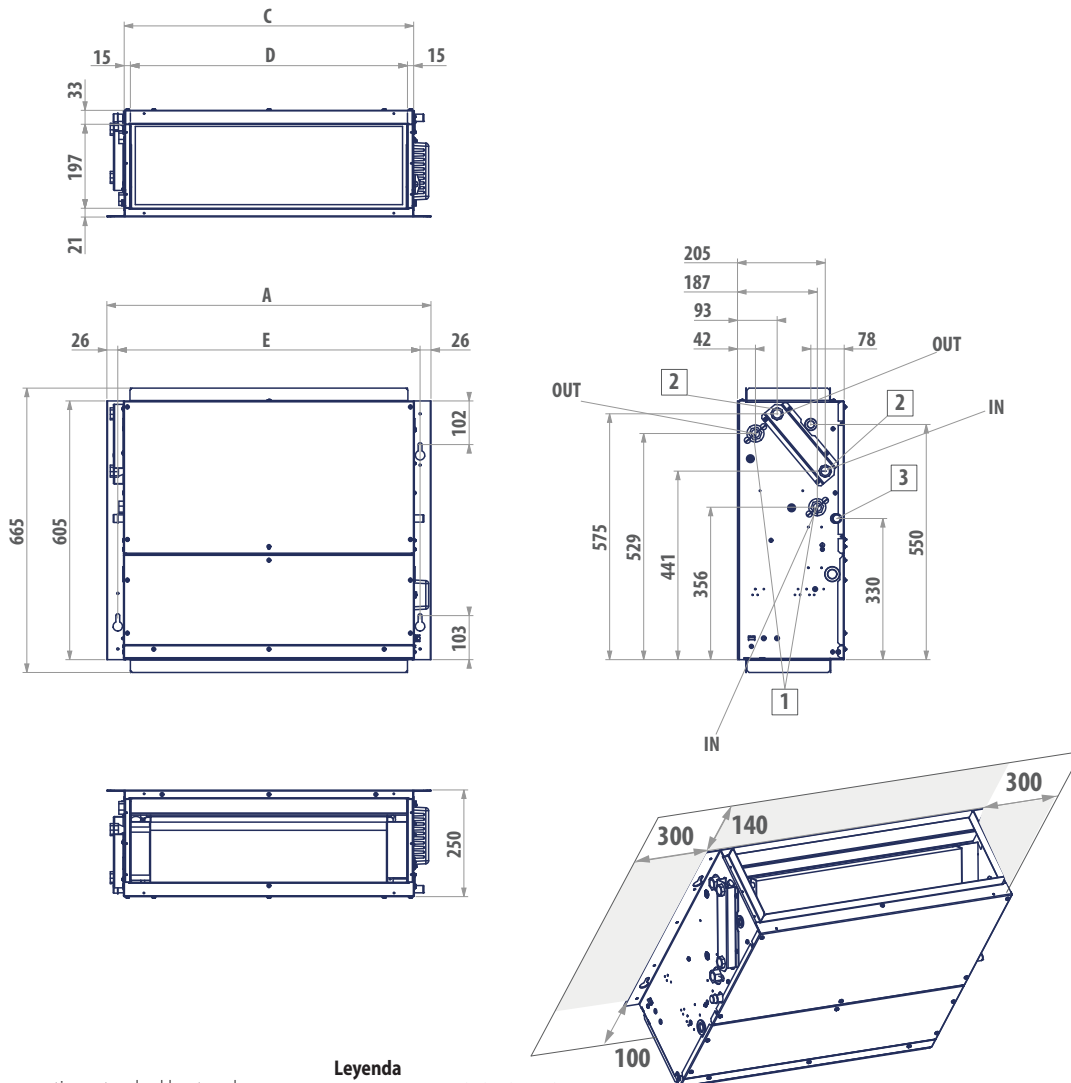
- (1) Water temperature 7°C / 12°C, air temperature dry bulb 27°C, wet bulb 19°C (47% relative humidity) according to EN1397:2015  
 (2) Water temperature 7°C / 12°C, air temperature dry bulb 27°C, wet bulb 19°C (47% relative humidity)  
 (3) Water temperature 65°C / 55°C, air temperature 20°C  
 (4) Sound power measured according to standards ISO 3741 and ISO 3742  
 (5) The shown section is to be considered as the minimum recommended section. The cables must be chosen in compliance with CEI - UNEL 35024/1. standard.  
 (E) EUROVENT certified data  
 Power supply 230-1-50 (V-ph-Hz)

## 11 WEIGHTS

FWP-C		04	05	06	08	10	11	15	17
2 pipes	kg	24,4	25,4	33,0	36,0	45,0	45,0	51,0	51,0
4 pipes	kg	25,8	26,8	34,6	37,6	47,5	47,5	53,5	53,5

# 12 FIGURE - FIGURE - FIGURES - FIGURAS - ABB - OBRÁZKY- SLIKE - ÁBRÁK

» FWP-C 04-05-06-08



## Legend

- 1 Water connections standard heat exchanger
- 2 Water connections additional heat exchanger
- 3 Condensate discharge

## Legenda

- 1 Attacchi idraulici batteria standard
- 2 Attacchi idraulici batteria addizionali
- 3 Scarico condensa

## Légende

- 1 Raccords hydrauliques échangeur standard
- 2 Raccords hydrauliques batterie additionnelle
- 3 Purge des condensats

## Leyenda

- 1 Conexiones hidráulicas - batería STD
- 2 Conexiones hidráulicas batería adicional
- 3 Descarga condensados

## Legende

- 1 Wasseranschlüsse Standardbatterie
- 2 Wasseranschlüsse zusätzliche Batterie
- 3 Kondenswasserablass

## Vysvětlivky

- 1 Standardní hydraulické připojení baterie
- 2 Přídavná hydraulická připojení baterie
- 3 Odvod kondenzátu

## Pojašnjenje:

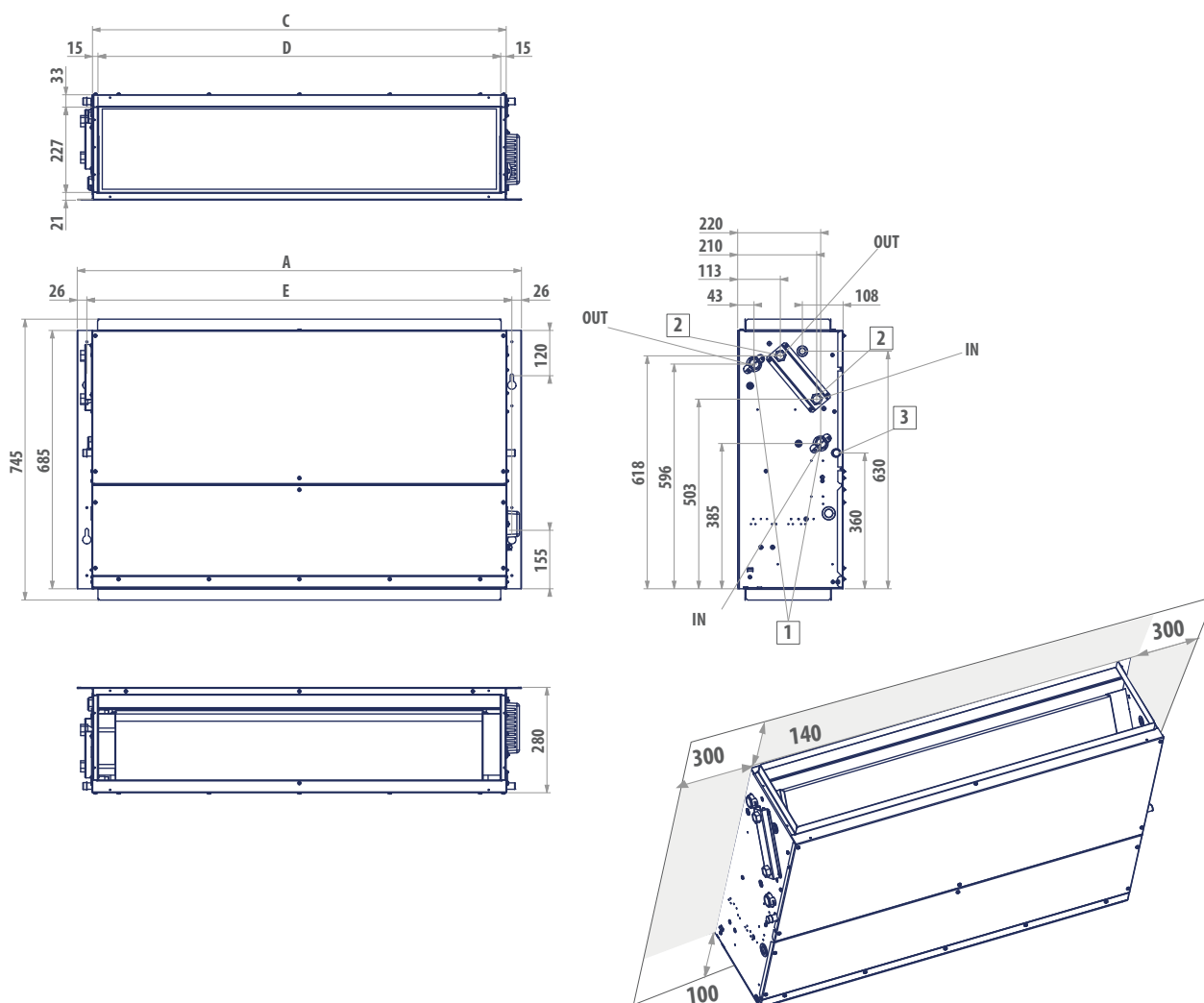
- 1 Hidraulični priključci standardne zavojnice
- 2 Hidraulični priključci dodatne zavojnice
- 3 Odvod kondenzata

## Jelmagyarázat

- 1 Standard hőcserélő hidraulikacsatlakozásai
- 2 Kiegészítő hőcserélő hidraulikus csatlakozásai
- 3 Cseppvíz-elvezetés

FWP-C		04	05	06	08
A	mm	758	758	968	968
C	mm	677	677	887	887
D	mm	648	648	858	858
E	mm	707	707	917	917
1	"			1/2	
2	"			1/2	
3	mm	17	17	17	17

» FWP-C 10-11-15-17



**Legend**

- 1 Water connections standard heat exchanger
- 2 Water connections additional heat exchanger
- 3 Condensate discharge

**Légende**

- 1 Raccords hydrauliques échangeur standard
- 2 Raccords hydrauliques batterie additionnelle
- 3 Purge des condensats

**Leyenda**

- 1 Conexiones hidráulicas - batería STD
- 2 Conexiones hidráulicas batería adicional
- 3 Descarga condensados

**Legenda**

- 1 Attacchi idraulici batteria standard
- 2 Attacchi idraulici batteria addizionali
- 3 Scarico condensa

**Legende**

- 1 Wasseranschlüsse Standardbatterie
- 2 Wasseranschlüsse zusätzliche Batterie
- 3 Kondenswasserablass

**Vysvětlivky**

- 1 Standardní hydraulické připojení baterie
- 2 Přídavná hydraulická připojení baterie
- 3 Odvod kondenzátu

**Pojašnjenje:**

- 1 Hidraulični priključci standardne zavojnice
- 2 Hidraulični priključci dodatne zavojnice
- 3 Odvod kondenzata

**Jelmagyarázat**

- 1 Standard hőcserélő hidraulikacsatlakozásai
- 2 Kiegészítő hőcserélő hidraulikus csatlakozásai
- 3 Cseppvíz-elvezetés

FWP-C		10	11	15	17
A	mm	1178	1178	1178	1178
C	mm	1097	1097	1097	1097
D	mm	1068	1068	1068	1068
E	mm	1127	1127	1127	1127
1	"			3/4	
2	"			1/2	
3	mm	17	17	17	17