

# Calidor

SUPER B4



Low thermal inertia



Low water content



Versatility



Easy to stock and install



16  
bar

Maximum working pressure



3 international patents

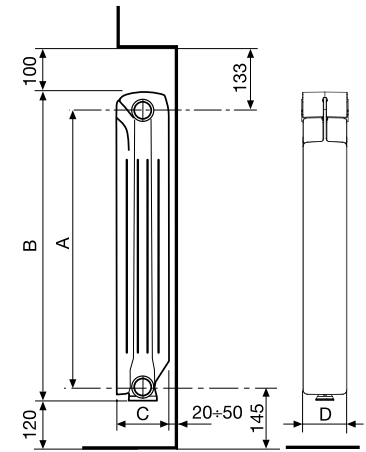
CE<sub>16</sub>



<b>Standard supply</b>	800: from 3 to 10 sections 700: from 3 to 12 sections 600/500/350: from 3 to 14 sections "Fondital logo" from 6 sections
<b>Colours</b>	RAL 9010 White
<b>Maximum working pressure</b>	16 bar
<b>Test pressure</b>	24 bar

All models **Calidor Super B4** are guaranteed **10 years** from installation date on manufacturing faults, provided that the installation has been performed in compliance with the current norms and respecting the instructions relating to the installation, the correct use and the correct maintenance as illustrated on this catalogue.

Model	Heat output					
	$\Delta T$ 20	$\Delta T$ 30	$\Delta T$ 40	$\Delta T$ 50	$\Delta T$ 60	$\Delta T$ 70
	W/sect.	W/sect.	W/sect.	W/sect.	W/sect.	W/sect.
<b>350/100</b>	28,3	47,2	67,9	89,9	113,1	137,3
<b>500/100</b>	38,0	64,1	92,8	123,8	156,5	190,9
<b>600/100</b>	43,7	74,0	107,5	143,6	182,0	222,3
<b>700/100</b>	49,0	83,1	120,7	161,3	204,5	249,8
<b>800/100</b>	53,6	91,1	132,7	177,7	225,6	276,0



MEASURES EXPRESSED IN MILLIMETRES

Model	Code	Depth	Height	Centre distance	Length	Connection diameters	Water capacity	Exponent	Coefficient
		(C) mm	(B) mm	(A) mm	(D) mm	inches	litres/sect.	n	Km
<b>350/100</b>	V690014	97	407	350	80	G1	0,20	1,2598	0,6506
<b>500/100</b>	V690034	97	558	500	80	G1	0,26	1,2890	0,7991
<b>600/100</b>	V690044	97	658	600	80	G1	0,31	1,2981	0,8950
<b>700/100</b>	V690054	97	758	700	80	G1	0,36	1,2998	0,9986
<b>800/100</b>	V690064	97	858	800	80	G1	0,39	1,3085	1,0635

**Maximum working pressure: 1600 kpa (16 bar) Maximum working temperature: 120 °C**

Characteristic equation of the model  $\Phi = Km \Delta T^n$

The thermal efficiency values shown comply with the European Standard EN 442-1:2014 and are certified by the MRT Lab of the Milan Polytechnic, notified body N°1695.

Item	Description	Code
	A 80 The radiator fixing kit includes: 2 Rh G 1/2" adapters; 2 Lh G 1/2" adapters, galvanized and painted; 4 sealing gaskets; 1 G 1/2" manual bleed valve with seal; 1 G 1/2" blind plug with seal	550103
	A 81 The radiator fixing kit includes: 2 Rh G 1/2" adapters; 2 Lh G 1/2" adapters, galvanized and painted; 4 sealing gaskets; 1 G 1/2" manual bleed valve with seal; 1 G 1/2" blind plug with seal; 3 brackets	550104
	A 2/1 RH/LH G 1" Nipple	510011
	A 10/1 1" Seals for nipples (without asbestos)	530105
	A 11/1 1" Seals for plugs (without asbestos)	530108
	A 20 Kit with two adjustable coated brackets	550037

